

Fax 1-519-880-9810



14th Floor, Centre Tower
3300 Bloor Street West
Toronto, Ontario
Canada M8X 2X4
Tel.: 416.734.3300
Fax: 416.231.1626
Toll Free: 1.877.682.8772

www.tssa.org

December 14, 2015

CATHERINE DIPLOCK
PRESSURE VESSEL ENGINEERING LTD.
120 RANDALL DR SUITE B
WATERLOO ON N2V 1C6
CA

Service Request Type: BPV-Fitting Registration
Service Request No.: 1770550
Your Reference No.: PVE-9350
Registered to: PETER PAUL ELECTRONICS INC

Dear CATHERINE DIPLOCK,

Technical Standards and Safety Authority (TSSA) is pleased to inform you that your submission has been reviewed and registered as follows:

CRN No.: 0C18118.5

Main Design No.: Valve series 20,30,50 & 70 w/body types: 2WNC, 2WNO & 3W
Expiry Date: 14-Dec-2025

Please be advised that a valid quality control system must be maintained for the fitting registration to remain valid until the expiry date.

The stamped copy of the approved registration and the invoice are mailed separately. Should you have any questions or require further assistance, please contact a Customer Service Advisor at 1.877.682.TSSA (8772) or e-mail customerservices@tssa.org. We will be happy to assist you. When contacting TSSA regarding this file, please refer to the Service Request number provided above.

Yours truly,

Mark Valcic P. Eng.
Engineer BPV
Tel.: 416-734-3494
Fax: 416-231-6183
Email: mvalcic@tssa.org



TECHNICAL STANDARDS & SAFETY AUTHORITY
14th Floor, Centre Tower
3300 Bloor Street West
Toronto, Ontario
Canada M8X 2X4



PETER PAUL electronics co., inc.

STATUTORY DECLARATION Registration of Fittings

I, Mark Mangialico, President
(Name and Position, e.g. President, Plant Manager, Chief Engineer)

of Peter Paul Electronics Co., Inc.
(Name of Manufacturer)

Located at 480 John Downey Dr, New Britain, CT 06051 (860) 229-4884
(Plant Address) (Telephone No.) (Fax No.)

do solemnly declare that the fittings listed hereunder, which are subject to the **Technical Standards and Safety Act**, Boilers and Pressure Vessels Regulation, comply with all of the requirements of

(Title of recognized North American Standard)
which specifies the dimensions, materials of construction, pressure/temperature ratings, identification marking the fittings and service;

or are not covered by the provisions of a recognized North American standard and are therefore manufactured to comply with ASME B31.3 2014 Edition as supported by the attached data which identifies the dimensions, material of construction, pressure/temperature ratings and the basis for such ratings, the marking of the fitting for identification and service.

I further declare that the manufacture of these fittings is controlled by a quality system meeting the requirements of ISO 9001:2008 which has been verified by the following authority, QAS International

The items covered by this declaration, for which I seek registration, are category "C" type fittings. In support of this application, the following information and/or test data are attached as follows:

20-30495,20-30494,20-30496,30-30100,30-30099,30-30101,50-30466,50-30469,70-30169,70-30188,70-30170. G1

(drawings, calculations, test reports, etc.)

Declared before me at New Britain in the State of Connecticut
the 14th day of September AD 20 15.

MARLENE MICHAUD
Notary Public
My Commission Expires MARCH 31, 2017

Commissioner for Oaths:
MARLENE MICHAUD
(Printed name)
[Signature]
(Signature)

[Signature]
(Signature of Declarer)

FOR OFFICE USE ONLY

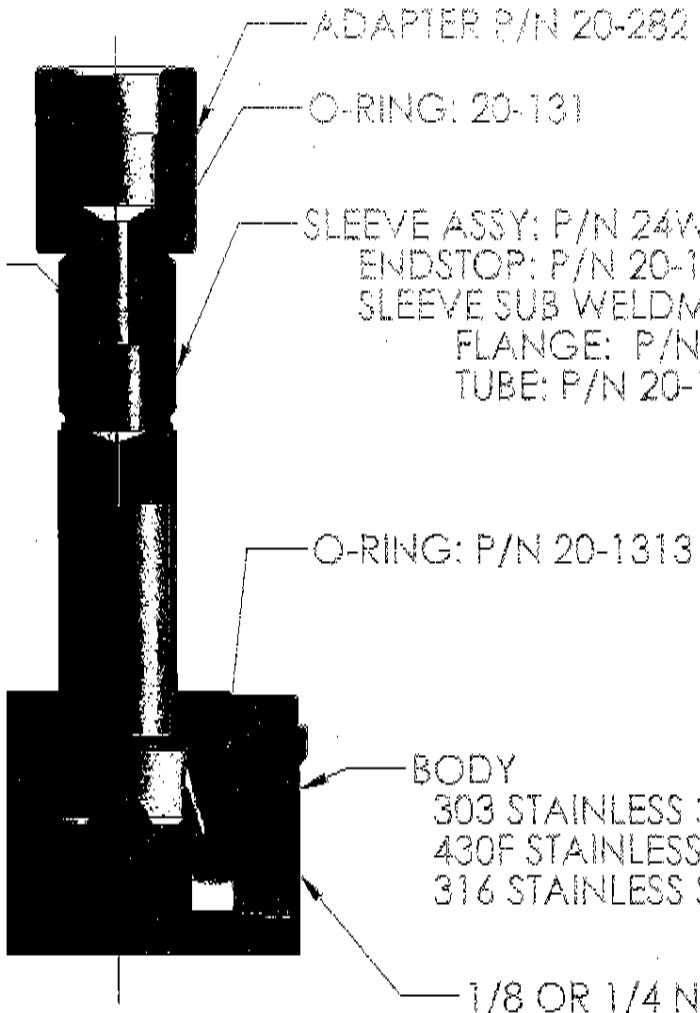
To the best of my knowledge and belief, the application meets the requirements of the **Technical Standards and Safety Act**, Boilers and Pressure Vessels Regulation, and CSA Standard B51 and is accepted for registration in Category C1

CRN: 0C18/18.5
Registered by: MARK VALCIC, P.ENG
Dated: DEC 14, 2015

NOTE: This registration expires on DEC. 14, 2015

Technical Standards and Safety Authority
Boilers and Pressure Vessels Safety Program

REGISTERED
C.R.N.: 0C18/18.5
Signed: [Signature]
Date: DEC 14, 2015



303 STAINLESS STEEL: 20BD8-D
 430F STAINLESS STEEL: 20BC8-D
 316 STAINLESS STEEL: 20BF8-D } DRAWING P/N 20B

SECTION A-A

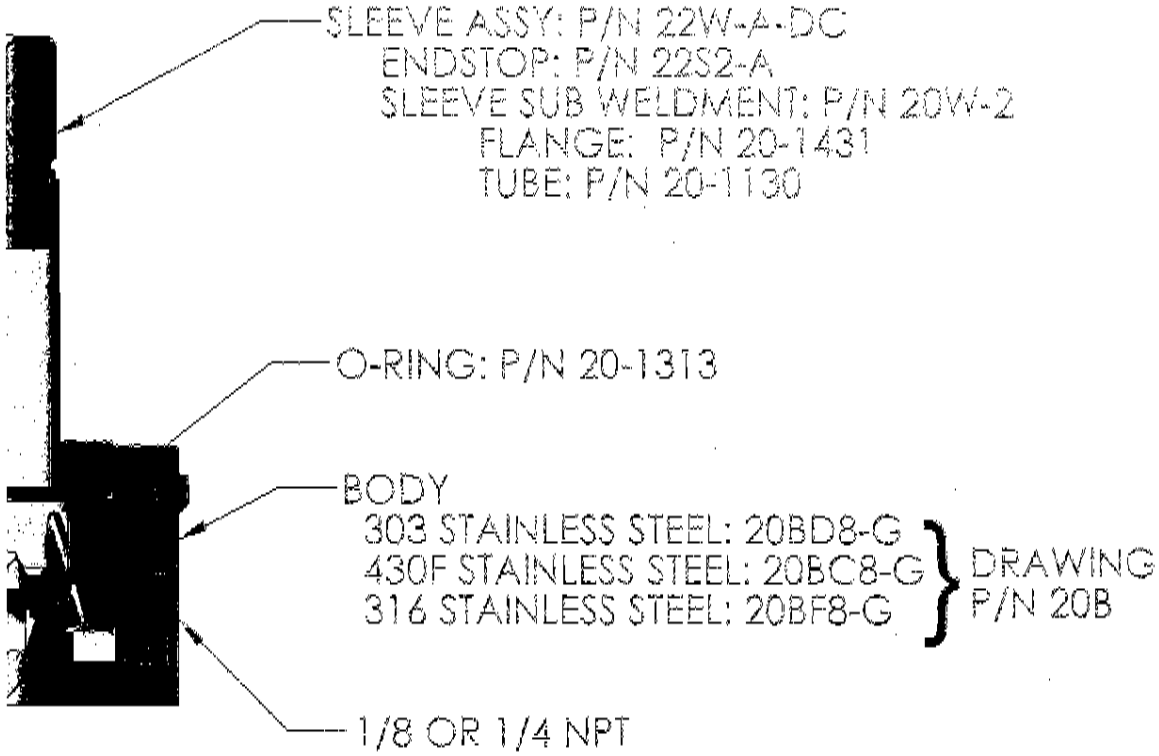
THIS IS PART OF
CRN 0218/18.5
 Technical Standards & Safety Authority
 Boilers & Pressure Vessels
 Safety Program
 W. War Dec 19 15

DRAWING REPRESENTS 20 SERIES VALVES WITH P/N 21* & E21*

IMPORTANT =
 TOOL CONTROLLED = T
 OTHERWISE SPECIFIED
 CE FINISH PER SP-50
 METRIC TOLERANCING
 ASME Y14.5M - 1994
 CONFORM TO SPECIFICATIONS
 TO THE LATEST REVISION
 AT THE TIME OF ORDER
 UNLESS OTHERWISE SPECIFIED
 CHECKED MS SIZE A



TITLE: 20 OUTLINE DRAWING,
 2WNO FOR CRN APPROVAL
 DWG. NO. 20-30494_REV_X2 REV X2
 DATE DRAWN: 06-26-15 SCALE: 1:1 SHEET 1 OF 1



N A-A

THIS IS PART OF
 CRN 0218/18.5
 Technical Standards & Safety Authority
 Boilers & Pressure Vessels
 Safety Program
 utae Dec 19/15

**FIG REPRESENTS 20 SERIES
 DES WITH P/N 22*, H22*, E22* & EH22***

IMPORTANT =
 TOOL CONTROLLED = T
 OTHERWISE SPECIFIED
 CE FINISH PER SP-50
 METRIC TOLERANCING
 VE Y14.5M - 1994
 NICES TO SPECIFICATIONS
 TO THE LATEST REVISION
 AT THE TIME OF ORDER
 OTHERWISE SPECIFIED
 CHECKED MS
 SIZE A
 DN:
 ENG\PROD\SERIES 20\
 0-30494



Peter Paul Electronics Co. Inc.
 New Britain, CT. USA
 www.peterpaul.com

TITLE: 20 OUTLINE DRAWING,
 2WNC FOR CRN APPROVAL

DWG. NO. 20-30495_REV_X2 REV X2

DATE DRAWN: 06-26-15 SCALE: 1:1 SHEET 1 OF 1

ADAPTER P/N 20-282

O-RING: 20-131

SLEEVE ASSY: P/N 24W-GA-DC
ENDSTOP: P/N 20-11195-GA
SLEEVE SUB WELDMENT: P/N 20W-2
FLANGE: P/N 20-1431
TUBE: P/N 20-1130

O-RING: P/N 20-1313

BODY

303 STAINLESS STEEL: 20BD8-G
430F STAINLESS STEEL: 20BC8-G
316 STAINLESS STEEL: 20BF8-G

DRAWING
P/N 20B

1/8 OR 1/4 NPT

THIS IS PART OF
CRN 018118.5
Technical Standards & Safety Authority
Boilers & Pressure Vessels
Safety Program

WCA Dec 14/15

A-A

**THIS DRAWING REPRESENTS 20 SERIES
VALVES WITH P/N 23*, H23*, E23*, EH23*
24*, H24*, E24*, EH24*
25*, H25*, E25*, EH25*
26*, H26*, E26*, EH26***

IMPORTANT =

TOOL CONTROLLED = T

OTHERWISE SPECIFIED
FINISH PER SP-50

METRIC TOLERANCING
PER Y14.5M - 1994

CONFORM TO SPECIFICATIONS
TO THE LATEST REVISION
AT THE TIME OF ORDER
UNLESS OTHERWISE SPECIFIED

CHECKED MS SIZE A



Peter Paul Electronics Co. Inc.

New Britain, CT, USA

www.peterpaul.com

EXCELLENCE BY CONTROL

TITLE: 20 OUTLINE DRAWING,
3W FOR CRN APPROVAL

DWG. NO. 20-30496_REV_X2 REV X2

DATE DRAWN: 06-26-15 SCALE: 1:1 SHEET 1 OF 1

DN:
ENGIN PROD. SERIES 20V
0-30494

ADAPTER P/N 20-282

O-RING: 20-131

SLEEVE ASSY: P/N 30-1123-JA

ENDSTOP: P/N 20-11195-JA

SLEEVE SUB WELDMENT: P/N 30-1134

FLANGE: P/N 20-1431

TUBE: P/N 30-1121

O-RING: P/N 20-1313

BODY

430F STAINLESS STEEL: 30-1059-CD

DRAWING P/N 30-1059

1/8 NPT

A

THIS IS PART OF
CRN 0C18/18.5
Technical Standards & Safety Authority
Boilers & Pressure Vessels
Safety Program

Mike Dec 14/15

**THIS DRAWING REPRESENTS 30 SERIES
WNO VALVES WITH P/N 21***

IMPORTANT =

TOOL CONTROLLED = T

OTHERWISE SPECIFIED
FACE FINISH PER SP-50

ISOMETRIC TOLERANCING
PER ASME Y14.5M - 1994

CONFORM TO SPECIFICATIONS
TO THE LATEST REVISION
AT THE TIME OF ORDER
UNLESS OTHERWISE SPECIFIED

CHECKED MS SIZE A

DATE: 06-26-15
ENGR: PROD SERIES 30
0-30099



Peter Paul Electronics Co. Inc.

New Britain, CT, USA

www.peterpaul.com

EXCELLENCE BY CONTROL

TITLE: 30 OUTLINE DRAWING,
2WNO FOR CRN APPROVAL

DWG. NO. 30-30099_REV_X2 REV X2

DATE DRAWN: 06-26-15 SCALE: 1:1 SHEET 1 OF 1

SLEEVE ASSY: P/N 30-1137-A
 ENDSTOP: P/N 22S2-A
 SLEEVE SUB WELDMENT: P/N 30-1134
 FLANGE: P/N 20-1431
 TUBE: P/N 30-1121

O-RING P/N 20-1313

BODY

430F STAINLESS STEEL: 30BC8-K } DRAWING
 P/N 30B

1/8 NPT

A-A

THIS IS PART OF
 CRN 0018/18.5
 Technical Standards & Safety Authority
 Boilers & Pressure Vessels
 Safety Program
Ubl Dec 19/15

**THIS DRAWING REPRESENTS 30 SERIES
 INC VALVES WITH P/N 32***

IMPORTANT =

TOOL CONTROLLED = T

OTHERWISE SPECIFIED
 POLISH FINISH PER SP-50

METRIC TOLERANCING
 PER Y14.5M - 1994

CONFORMS TO SPECIFICATIONS
 TO THE LATEST REVISION
 AT THE TIME OF ORDER
 UNLESS OTHERWISE SPECIFIED

CHECKED MS SIZE A



Peter Paul Electronics Co. Inc.

New Britain, CT. USA

www.peterpaul.com

TITLE: 30 OUTLINE DRAWING,
 2WNC FOR CRN APPROVAL

DWG. NO. 30-30100_REV_X2 REV X2

DATE DRAWN: 06-26-15 SCALE: 1:1 SHEET 1 OF 1

ENGR: PROD/SERIES 30X
 3-30100

ADAPTER P/N 20-282
 O-RING: 20-131
 SLEEVE ASSY: P/N 30-1123-JA
 ENDSTOP: P/N 20-11195-JA
 SLEEVE SUB WELDMENT: P/N 30-1134
 FLANGE: P/N 20-1431
 TUBE: P/N 30-1121

O-RING: P/N 20-1313
 BODY
 430F STAINLESS STEEL: 30BC8-K
 1/8 NPT
A

DRAWING
 P/N 30B

**THIS IS PART OF
 CRN** *06/18/18.5*
 Technical Standards & Safety Authority
 Boilers & Pressure Vessels
 Safety Program
W/ce Dec 14/15

**DRAWING REPRESENTS 30 SERIES
 VALVES WITH P/N 33*, 34*, 35* & 36***

IMPORTANT =
 TOOL CONTROLLED =
 OTHERWISE SPECIFIED
 CE FINISH PER SP-50
 METRIC TOLERANCING
 ASME Y14.5M - 1994
 CONFORM TO SPECIFICATIONS
 TO THE LATEST REVISION
 AT THE TIME OF ORDER
 UNLESS OTHERWISE SPECIFIED
 CHECKED MS
 SIZE **A**
 P/N: 30-30101
 DRAWING PROD: SERIES 30
 30-30101



Peter Paul Electronics Co. Inc.
 New Britain, CT, USA
 www.peterpaul.com

TITLE: 30 OUTLINE DRAWING,
 3W FOR CRN APPROVAL

DWG. NO. **30-30101_REV_X2** REV **X2**

DATE DRAWN: 06-26-15 SCALE: 1:1 SHEET 1 OF 1

ADAPTER P/N 50-2819

O-RING: P/N 50-138

SLEEVE ASSY: P/N 54W10-J
ENDSTOP: P/N 53S10-J
SLEEVE SUB WELDMENT: P/N 50-11064
FLANGE: P/N 50-142
TUBE: P/N 50-143

FLANGE SEAL : P/N 50-131

BODY
303 STAINLESS STEEL: 50-10026-J
430F STAINLESS STEEL: 50BC8-J
316 STAINLESS STEEL: 50BF8-J

DRAWING
P/N 50B

1/8 NPT

-A

THIS IS PART OF
CRN 0CB118.5
Technical Standards & Safety Authority
Boilers & Pressure Vessels
Safety Program
WAL Dec 19/15

THIS DRAWING REPRESENTS 50 SERIES 2WNO VALVES WITH P/N 51* & E51*

IMPORTANT =

TOOL CONTROLLED = T

OTHERWISE SPECIFIED
FINISH PER SP-50

METRIC TOLERANCING
AS Y14.5M - 1994

CONFORM TO SPECIFICATIONS
TO THE LATEST REVISION
AT THE TIME OF ORDER
UNLESS OTHERWISE SPECIFIED

CHECKED MS SIZE A

DATE: 06-26-15
PROJ: NG\PROD\SERIES 50\50-30467



Peter Paul Electronics Co. Inc.

New Britain, CT, USA

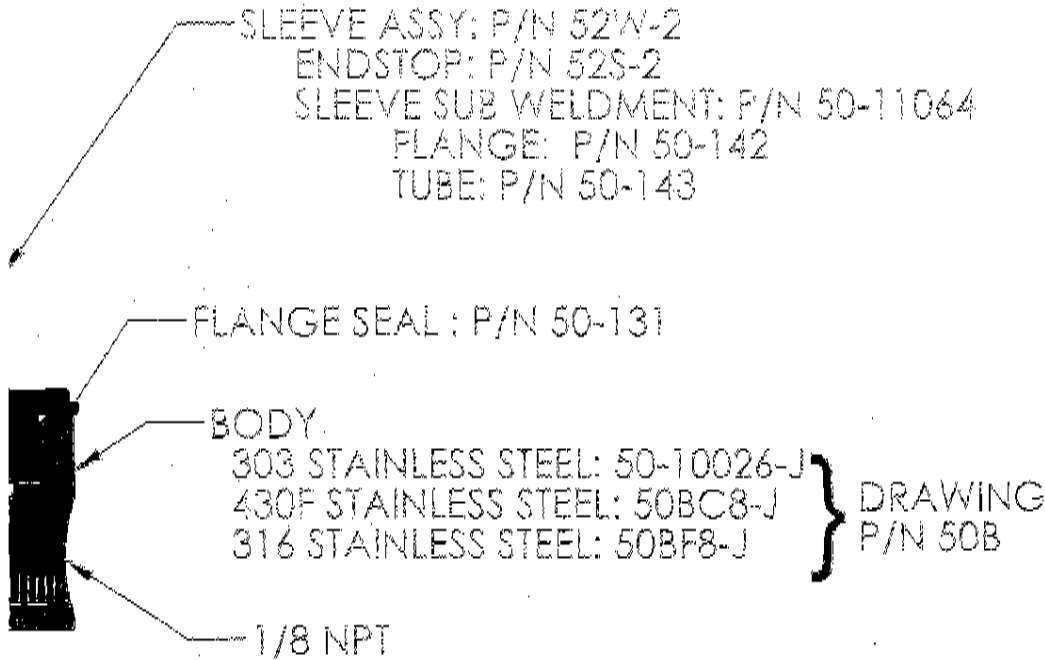
www.peterpaul.com

EXCELLENCE BY CONTROL

TITLE: 50 OUTLINE DRAWING,
2WNO FOR CRN APPROVAL

DWG. NO. 50-30467_REV_X2 REV X2

DATE DRAWN: 06-26-15 SCALE: 1:1 SHEET 1 OF 1



A-A

THIS IS PART OF
 CRN 0018118.5
 Technical Standards & Safety Authority
 Boilers & Pressure Vessels
 Safety Program
WCA DEC 14/15

**THIS DRAWING REPRESENTS 50 SERIES
 WNC VALVES WITH P/N 52* & E52***

IMPORTANT =
 TOOL CONTROLLED = T



Peter Paul Electronics Co. Inc.
 New Britain, CT. USA
 www.peterpaul.com

OTHERWISE SPECIFIED
 CE FINISH PER SP-50
 METRIC TOLERANCING
 AS Y14.5M - 1994
 CONFORMS TO SPECIFICATIONS
 TO THE LATEST REVISION
 AT THE TIME OF ORDER
 UNLESS OTHERWISE SPECIFIED

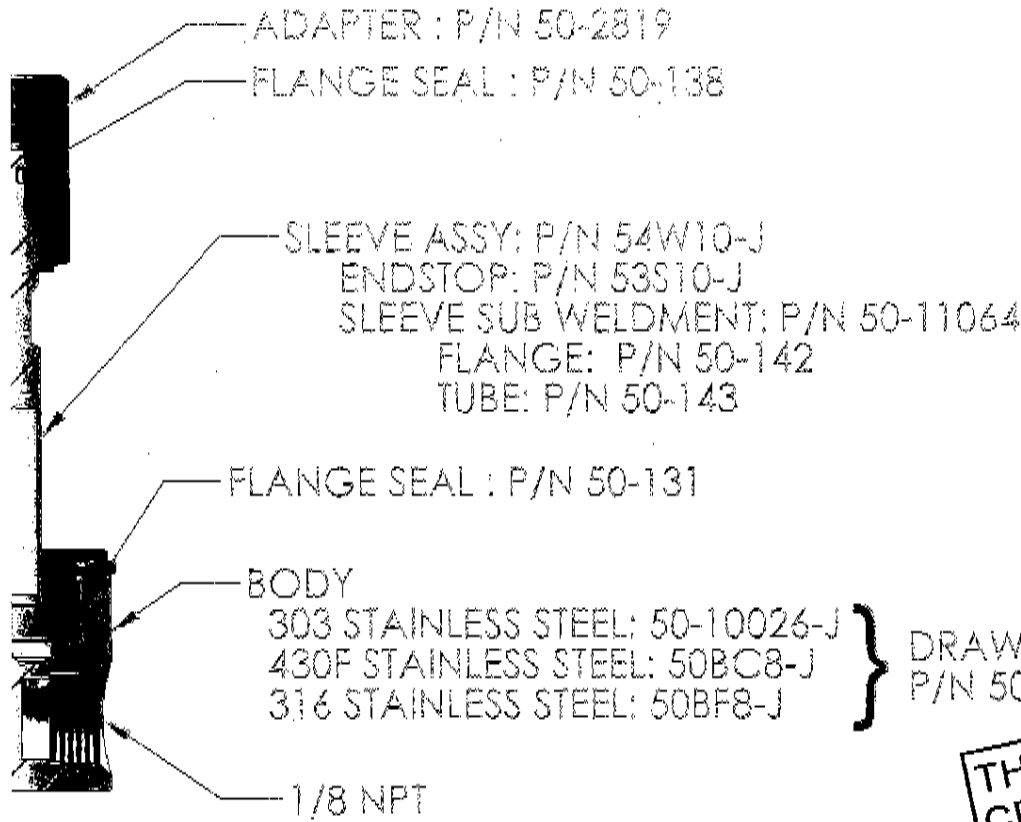
TITLE: 50 OUTLINE DRAWING,
 2WNC FOR CRN APPROVAL

DWG. NO. 50-30468_REV_X2 REV X2

CHECKED MS SIZE A

DATE: 06-29-15
 DRAWN BY: NG PROD SERIES 50A
 50-30468

DATE DRAWN: 06-29-15 SCALE: 1:1 SHEET 1 OF 1



DRAWING
P/N 50B

THIS IS PART OF
 CRN 0018/18.5
 Technical Standards & Safety Authority
 Boilers & Pressure Vessels
 Safety Program

W. J. McLaughlin

N A-A

**THIS DRAWING REPRESENTS 50 SERIES
 W VALVES WITH P/N 53* & E53*
 54* & E54*
 55* & E55*
 56* & E56***

IMPORTANT =
 TOOL CONTROLLED = T



Peter Paul Electronics Co., Inc.
 New Britain, CT, USA
 www.peterpaul.com

OTHERWISE SPECIFIED
 CE FINISH PER SP-50
 METRIC TOLERANCING
 AS Y14.5M - 1994
 CONFORMS TO SPECIFICATIONS
 TO THE LATEST REVISION
 AT THE TIME OF ORDER
 UNLESS OTHERWISE SPECIFIED

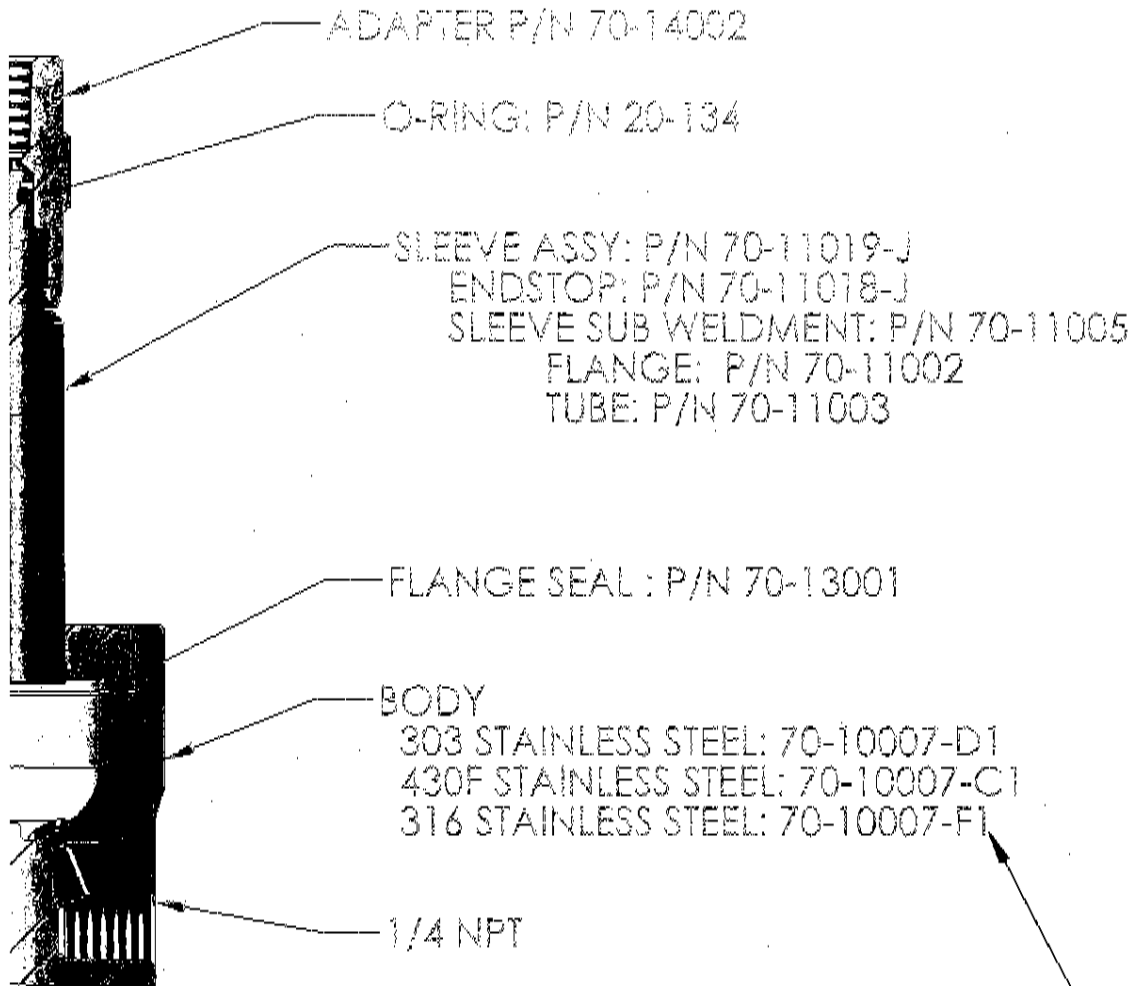
TITLE: 50 OUTLINE DRAWING,
 3W FOR CRN APPROVAL

DWG. NO. 50-30469_REV_X2a REV X2

CHECKED MS SIZE A

DATE: 06-29-15

DATE DRAWN: 06-29-15 SCALE: 1:1 SHEET 1 OF 1



A-A

Ref Drawing: 70-10003-FD

THIS IS PART OF
 CRN 0C18/18.5
 Technical Standards & Safety Authority
 Boilers & Pressure Vessels
 Safety Program
Wah Dec 14/15

**THIS DRAWING REPRESENTS 70 SERIES
 NO VALVES WITH P/N 71***

IMPORTANT =
 TOOL CONTROLLED = T
 OTHERWISE SPECIFIED
 CE FINISH PER SP-50
 METRIC TOLERANCING
 ASME Y14.5M - 1994
 CONFORMS TO SPECIFICATIONS
 TO THE LATEST REVISION
 AT THE TIME OF ORDER
 UNLESS OTHERWISE SPECIFIED.

CHECKED MS SIZE A

DATE: 06-29-15

Peter Paul Electronics Co. Inc.
 New Britain, CT, USA
 EXCELLENCE BY CONTROL
 www.peterpaul.com

TITLE: 70 OUTLINE DRAWING,
 2WNO FOR CRN APPROVAL

DWG. NO. 70-30168_REV_X2 REV X2

DATE DRAWN: 06-29-15 SCALE: 1:1 SHEET 1 OF 1



SLEEVE ASSY: P/N 70-11025
 ENDSTOP: P/N 70-11024
 SLEEVE SUB WELDMENT: P/N 70-11005
 FLANGE: P/N 70-11002
 TUBE: P/N 70-11003

FLANGE SEAL : P/N 70-13001

BODY
 303 STAINLESS STEEL: 70-10003-DJ
 430F STAINLESS STEEL: 70-10003-CJ
 316 STAINLESS STEEL: 70-10003-FJ

1/4 NPT

ON A-A

THIS IS PART OF
 CRN 0218/18.5
 Technical Standards & Safety Authority
 Boilers & Pressure Vessels
 Safety Program

Uhal DEC 14/15

**THIS DRAWING REPRESENTS 70 SERIES
 2WNC VALVES WITH P/N 72***

IMPORTANT =
 TOOL CONTROLLED = T



Peter Paul Electronics Co. Inc.
 New Britain, CT. USA
 www.peterpaul.com

OTHERWISE SPECIFIED
 CE FINISH PER SP-50

METRIC TOLERANCING
 AS Y14.5M - 1994

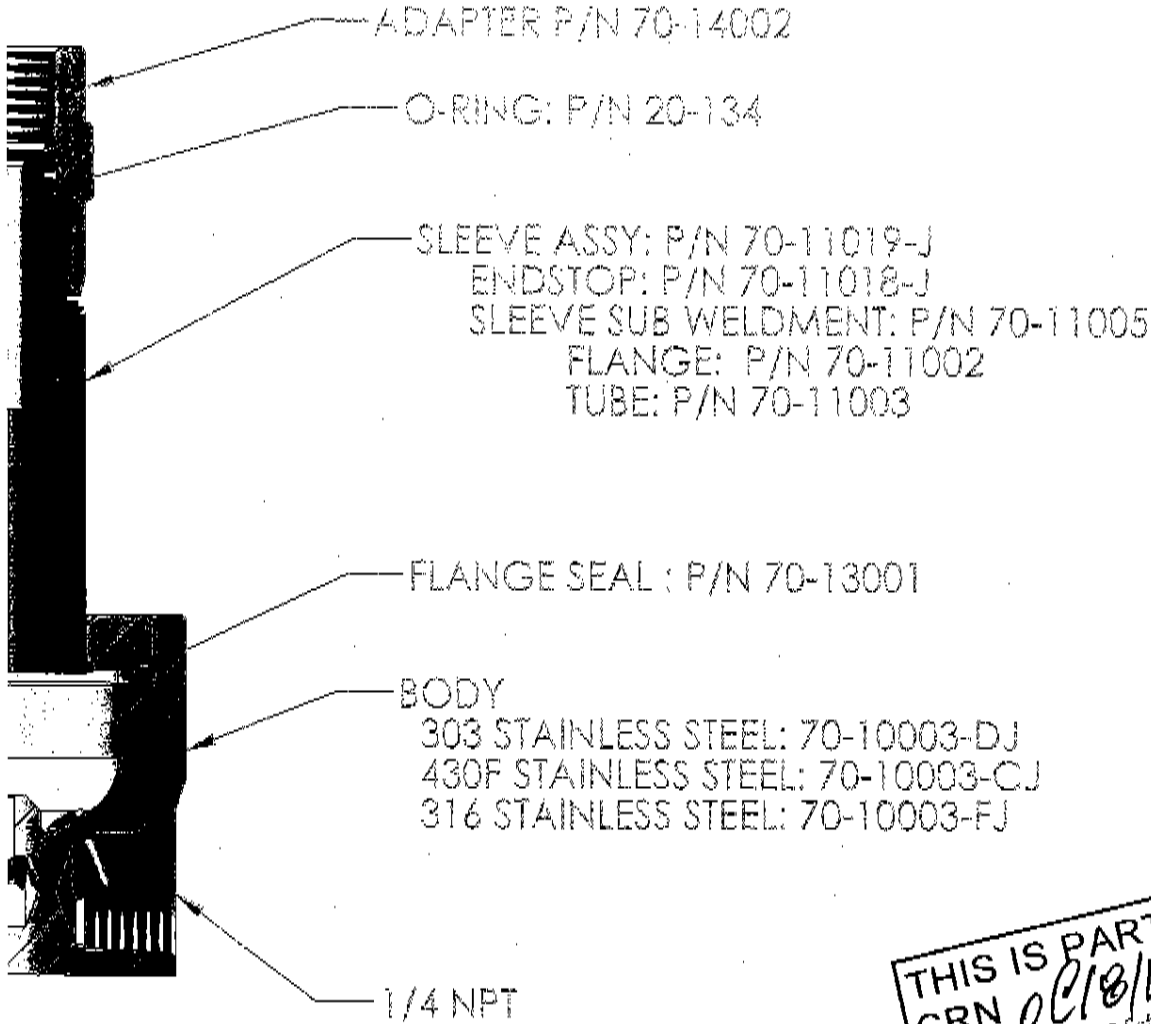
CONFORMS TO SPECIFICATIONS
 TO THE LATEST REVISION
 AT THE TIME OF ORDER
 UNLESS OTHERWISE SPECIFIED

CHECKED MS SIZE A

TITLE: 70 OUTLINE DRAWING,
 2WNC FOR CRN APPROVAL

DWG. NO. 70-30169_REV_X2a REV X2

DATE DRAWN: 06-29-15 SCALE: 1:1 SHEET 1 OF 1



N A-A

THIS IS PART OF
 CRN 06/18/18.5
 Technical Standards & Safety Authority
 Boilers & Pressure Vessels
 Safety Program

Walt Dec 19/15

**S DRAWING REPRESENTS 70 SERIES
 VALVES WITH P/N 73*, 74*, 75*, 76***

IMPORTANT =
 TOOL CONTROLLED = T



OTHERWISE SPECIFIED
 CE FINISH PER SP-50

METRIC TOLERANCING
 AS Y14.5M - 1994

CONFORMS TO SPECIFICATIONS
 OF THE LATEST REVISION
 AT THE TIME OF ORDER
 UNLESS OTHERWISE SPECIFIED

TITLE: 70 OUTLINE DRAWING,
 3W FOR CRN APPROVAL

DWG. NO. 70-30170_REV_X2 REV X2

DATE DRAWN: 06-29-15 SCALE: 1:1 SHEET 1 OF 1

CHECKED MS SIZE A

NO. 30168